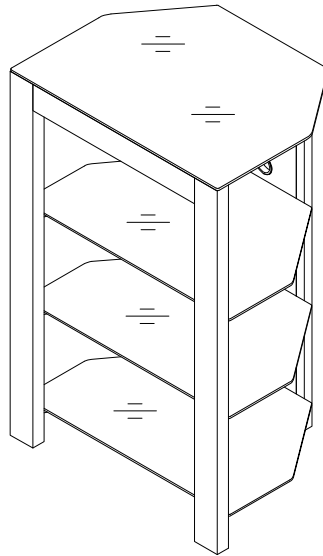



















Thank you for purchasing this quality product from F.A.M.E. Place all parts on a clean and smooth surface such as rug or carpet to avoid the parts from being scratched. Be sure to check all packed material carefully for small parts which may come loose inside the carton during shipment. In the event that you may find any hardware missing (screws, dowels, buttons), please call our customer service at 1-877-GO 4 FAME. We will PROMPTLY ship you via UPS priority mail the missing hardware. We hope you find our product "Simply-Simple" to assemble, and welcome your comments to MyFAMEexperience@simply-simple123.com

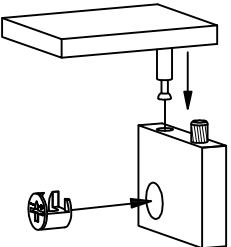
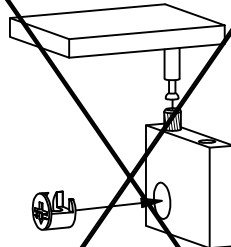
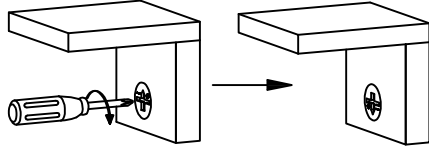
NOTE: DURING ASSEMBLY, DO NOT TIGHTEN ANY HARDWARE UNTIL THE COMPLETE UNIT HAS BEEN ASSEMBLED.



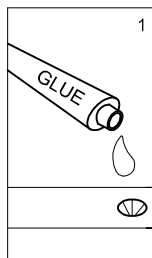
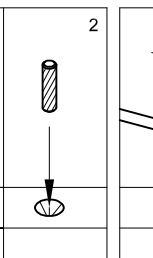
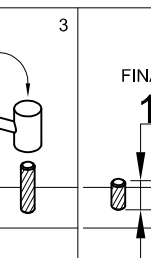
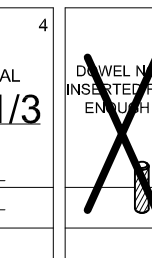
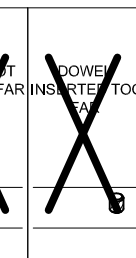

No.	PARTS LIST		Qty
1		LEFT METAL FRAME	1PC
2		RIGHT METAL FRAME	1PC
3		CROSSBAR	2PCS
4		BACK PANEL	1PC
5		LEFT WOOD POST	1PC
6		RIGHT WOOD POST	1PC
7		WOOD BAR	1PC
8		TOP GLASS	1PC
9		GLASS SHELF	3PCS

No.	HARDWARE		Qty
A		CAM LOCK	12PCS
B		CAM SCREW	12PCS
C		WOOD DOWEL	2PCS
D		SCREWS(1/4" X 1/2")	14PCS
E		SUCKER-1	16PCS
F		SUCKER-2	1PC
G		ALLEN WRENCH(4mm)	1PC
H		GLUE	1PC

# CAM-LOCK/ DOWEL INSTALLATION

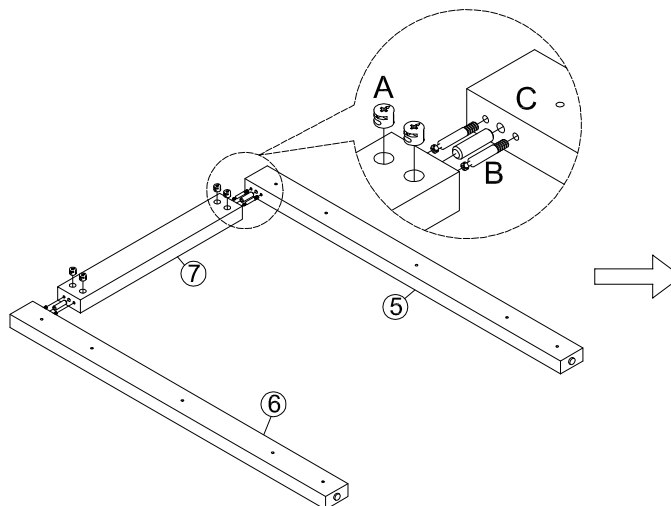
<p><b>CORRECT</b> 1</p>  <p>When inserting the Cam Lock, make sure that the Open End if the Cam Lock faces the Cam Screw Entry. The Dowel will be inserted into the hole NEXT to the Cam Lock. Cam Screw Hole.</p>	<p><del><b>INCORRECT</b> 2</del></p>  <p><del>The Cam Lock is backwards in this illustration. The Cam Screw can not connect to the Cam Lock because the Dowel is in the incorrect hole.</del></p>	<p>3</p>  <p>To tighten, turn the Cam Lock <b>CLOCKWISE</b> until the arrow or "+" &amp; "-" signs point <b>AWAY</b> from the connected Panel.</p> <p><b>NOTE: DO NOT USE AN AUTOMATIC SCREWDRIVER TO TIGHTEN CAM LOCKS, DO NOT OVER-TIGHTEN.</b></p>
---	--	---





Insert Dowels AT LEAST 2/3 into the Edges of the panels. IF NECESSARY tap Dowels LIGHTLY with a rubber mallet.

1	2	3	4	<del>DOWEL NOT INSERTED FAR ENOUGH</del>	<del>DOWEL INSERTED TOO FAR</del>
					

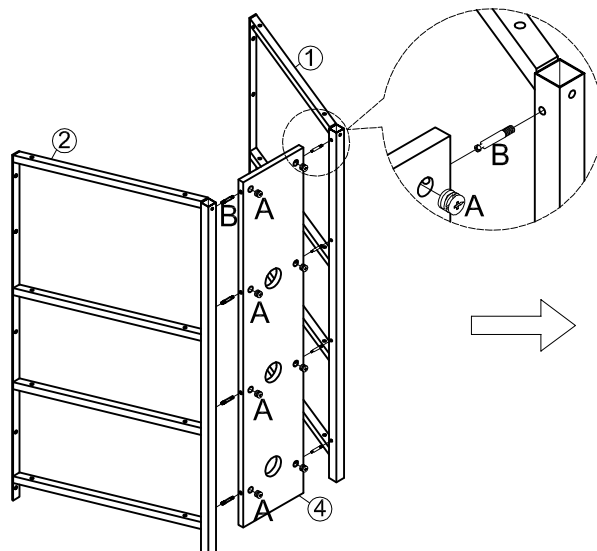
\*PLEASE NOTE: IT IS VERY IMPORTANT TO USE GLUE WITH DOWELS. EXCESS GLUE CAN BE WIPED OFF WITH A DAMP CLOTH



## Step: 1



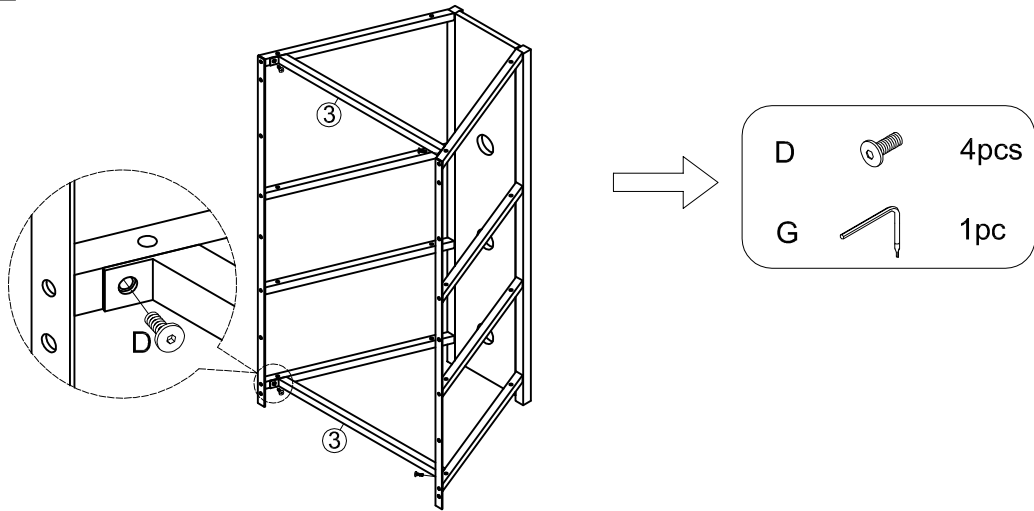
A		4pcs
B		4pcs
C		2pcs
H		1pc

## Step: 2

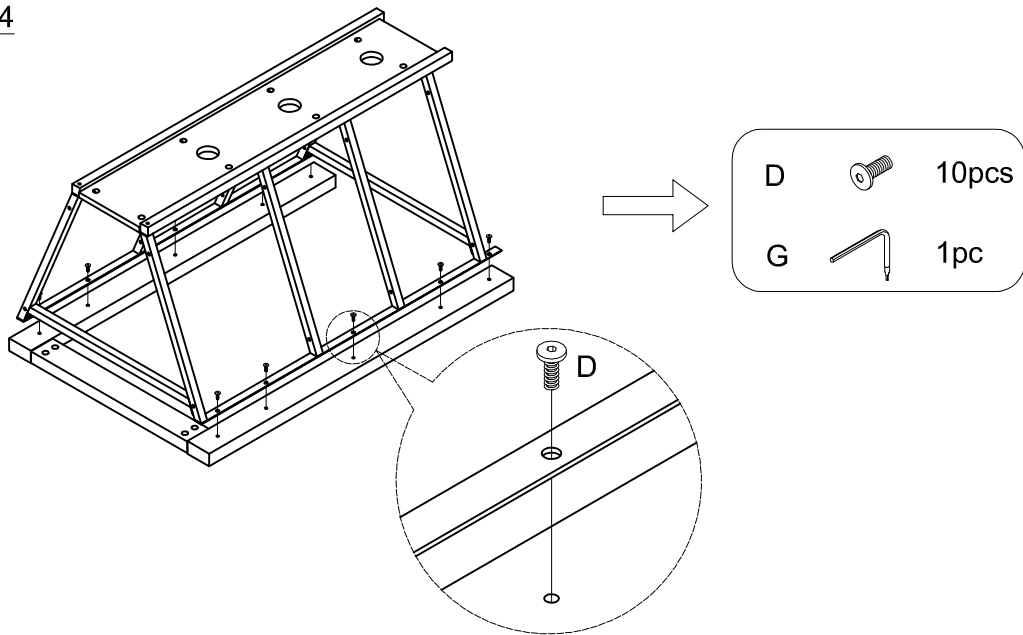


A		8pcs
B		8pcs

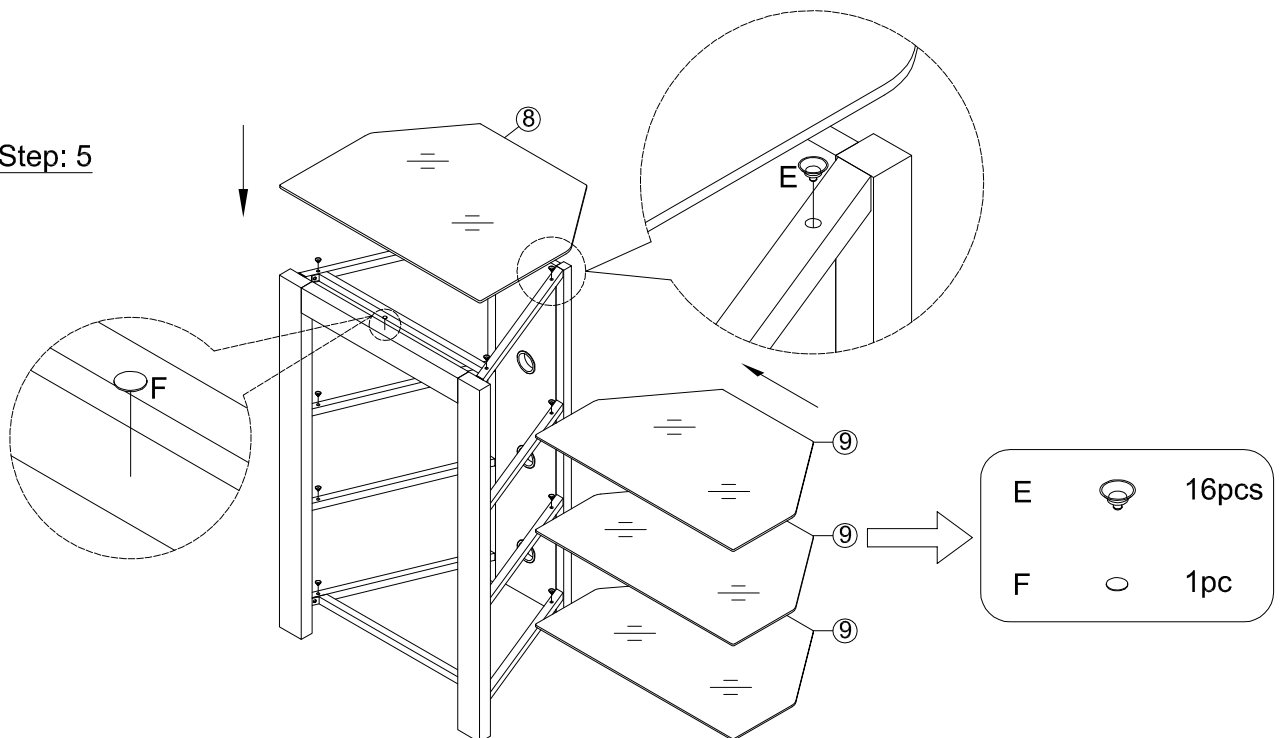
Step: 3



Step: 4

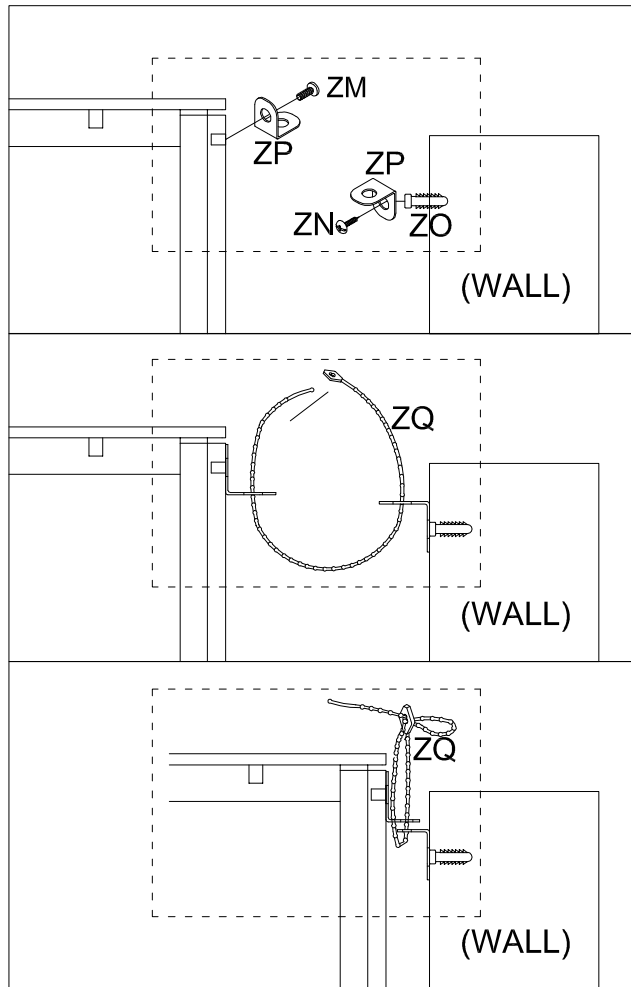


Step: 5



# TIP RESTRAINT KIT INSTRUCTIONS

Please follow the instructions for installing the tilt resistant kit as provided together with the hardware kit.



No.		HARDWARE	Qty
ZQ		PLASTIC MOUNTING STRAP	2PCS
ZP		MOUNTING TAB	4PCS
ZO		PLASTIC SOCKET	2PCS
ZN		4*25*6mm WOOD SCREW(RHWS4256BL)	2PCS
ZM		4.5*10*8mm MACHINE SCREW (MS45108BL)	2PCS

1. Attach (ZP) Mounting Tabs to the BACK of the Product with (ZM) 4.5 x 10 x 8mm Machine Screws, making sure the Tabs extend DOWNWARD as shown.
2. Drill 2 (Two) hole in your wall approximately 2" (Two inches) BELLOW the corresponding positions of (ZP) Mounting Tabs and insert (ZO) Plastic Sockets as shown.

NOTE: You may need to tap LIGHTY with a rubber mallet.

3. Attach (ZP) Mounting Tabs to (ZO) Pastic Sockets with (ZN) 4 x 25 x 6mm Wood Screws, making sure the Tabs extend UPWARD.
4. Now connect the corresponding (ZP) Mounting Tabs with (ZQ) Plastic Mounting Straps and tighten as desired before locking in place.