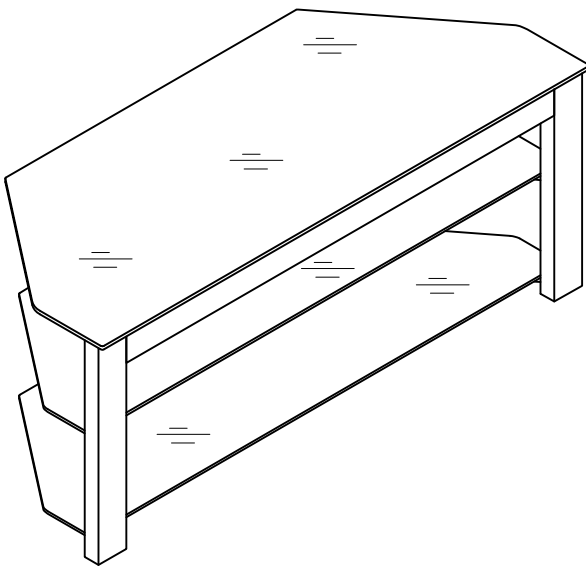





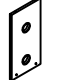



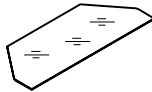
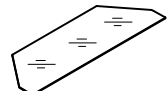


Thank you for purchasing this quality product from F.A.M.E. Place all parts on a clean and smooth surface such as rug or carpet to avoid the parts from being scratched. Be sure to check all packed material carefully for small parts which may come loose inside the carton during shipment. In the event that you may find any hardware missing (screws, dowels, buttons), please call our customer service at 1-877-GO 4 FAME. We will PROMPTLY ship you via UPS priority mail the missing hardware. We hope you find our product "Simply-Simple" to assemble, and welcome your comments to MyFAMEexperience@simply-simple123.com



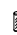








NOTE: DURING ASSEMBLY, DO NOT TIGHTEN ANY HARDWARE UNTIL THE COMPLETE UNIT HAS BEEN ASSEMBLED.



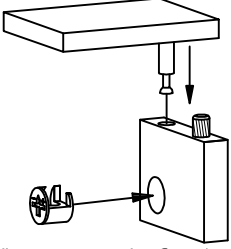
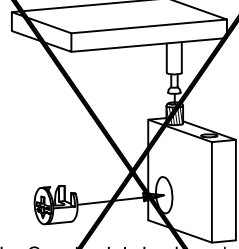
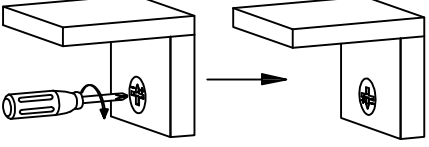
No. PARTS LIST Qty

1		LEFT METAL FRAME	1pc
2		RIGHT METAL FRAME	1pc
3		BAR-1	1pc
4		BAR-2	1pc
5		BAR-3	2pcs
6		BACK PANEL	1pc
7		LEFT WOOD POST	1pc
8		RIGHT WOOD POST	1pc
9		WOOD BAR	1pc
10		TOP GLASS	1pc
11		GLASS SHELF	2pcs

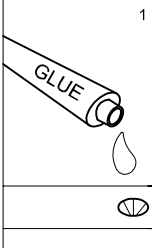
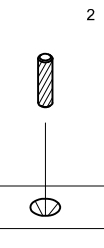
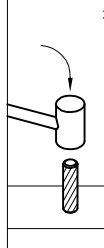
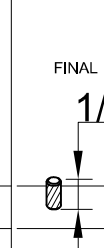



No. HARDWARE Qty

A		CAM LOCK	6PCS
B		CAM SCREW	6PCS
C		WOOD DOWEL	2PCS
D		BRACKET	1PC
E		SCREWS(1/4" X 1/2")	16PCS
F		SCREWS(1/4" X 1-1/2")	2PCS
G		SCREWS(1/4" X 1")	2PCS
H		SUCKER-1	14PCS
I		SUCKER-2	1PC
J		ALLEN WRENCH(4mm)	1PC
K		GLUE	1PC

CAM-LOCK/ DOWEL INSTALLATION

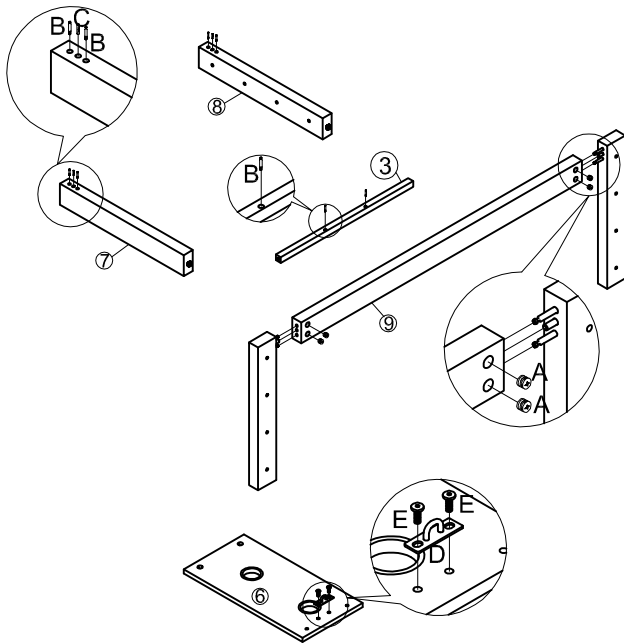
<p>CORRECT 1</p>  <p>When inserting the Cam Lock, make sure that the Open End of the Cam Lock faces the Cam Screw Entry. The Dowel will be inserted into the hole NEXT to the Cam Lock Cam Screw Hole.</p>	<p>INCORRECT 2</p>  <p>The Cam Lock is backwards in this illustration. The Cam Screw can not connect to the Cam Lock because the Dowel is in the incorrect hole.</p>	<p>3</p>  <p>To tighten, turn the Cam Lock CLOCKWISE until the arrow or "+" & "-" signs point AWAY from the connected Panel.</p> <p>NOTE: DO NOT USE AN AUTOMATIC SCREWDRIVER TO TIGHTEN CAM LOCKS, DO NOT OVER-TIGHTEN.</p>
--	--	--








Insert Dowels AT LEAST 2/3 into the Edges of the panels. IF NECESSARY tap Dowels LIGHTLY with a rubber mallet.

1	2	3	4	FINAL	1/3	DOWEL NOT INSERTED FAR ENOUGH	DOWEL INSERTED TOO FAR
							

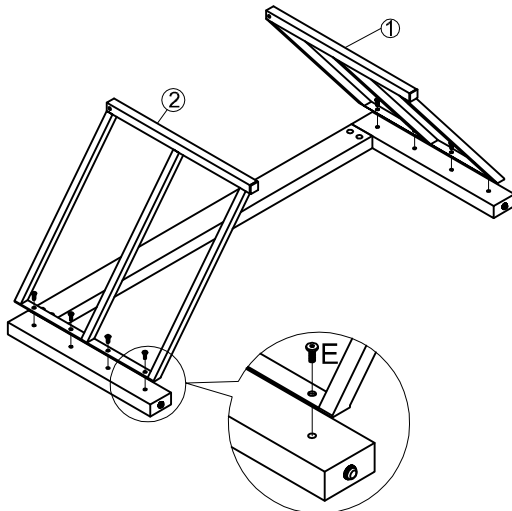
*PLEASE NOTE: IT IS VERY IMPORTANT TO USE GLUE WITH DOWELS. EXCESS GLUE CAN BE WIPED OFF WITH A DAMP CLOTH



Step: 1



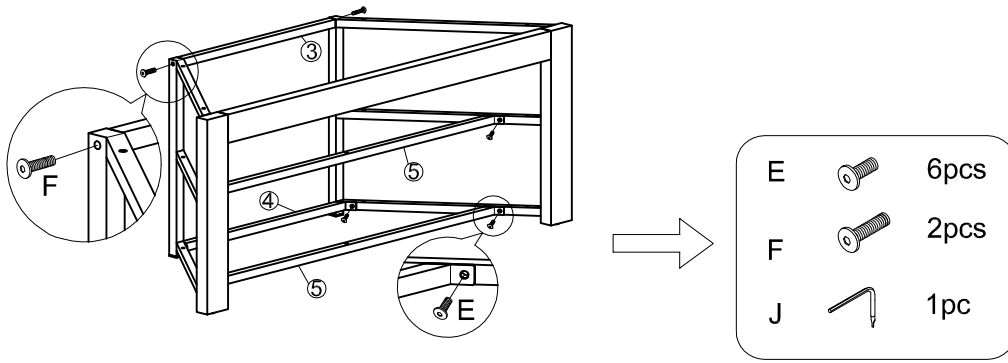
A		4pcs
B		6pcs
C		2pcs
E		2pcs
D		1pc
J		1pc
K		1pc

Step: 2

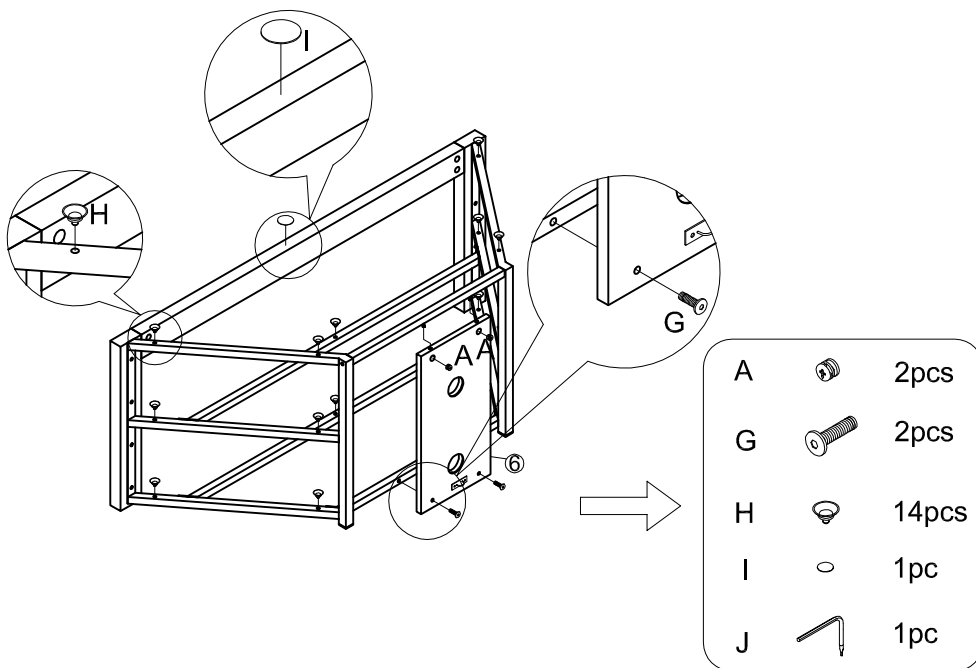


E		8pcs
J		1pc

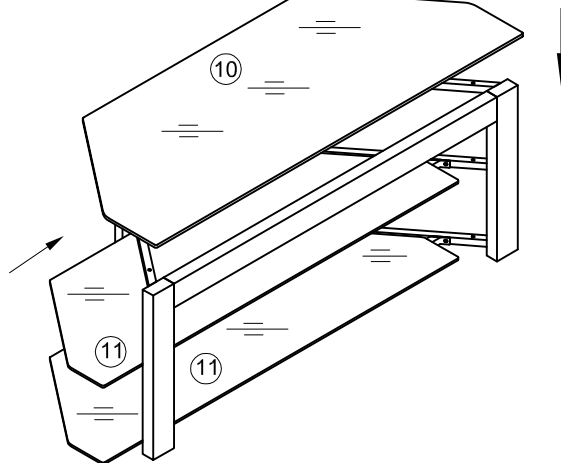
Step: 3



Step: 4



Step: 5



For reducing the possibility of the television falling forward, safety strap is needed. Please follow the assembly instruction for installing the safety strap kit.