

ASSEMBLY INSTRUCTIONS

MODEL: 1002

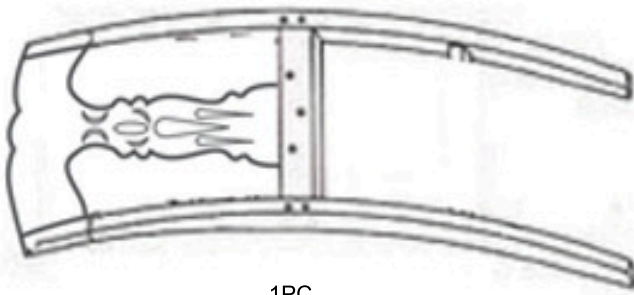
DESCRIPTION: Rosemont Writing Desk Set - Chair

Thank you for purchasing this quality product from F.A.M.E. Industries. Place all parts on a clean and smooth surface such as a rug or carpet to avoid the parts from being scratched. Be sure to check all packed material carefully for small parts which may have come loose inside the carton during shipment. In the event that you find any hardware missing (screws, dowels, buttons), please call our customer service at 1-877-Go 4 FAME. We will promptly ship you via overnight mail the missing hardware. We hope you find our product "Simply- Simple to assemble and welcome your comments to MyFAMEexperience@simply-simple123.com

NOTE: DURING ASSEMBLY, DO NOT TIGHTEN ANY HARDWARE UNTIL THE COMPLETE UNIT HAS BEEN ASSEMBLED.

HARDWARE & PARTS LIST

(A) CHAIR BACK FRAME



1PC

(B1) SEAT FRAME



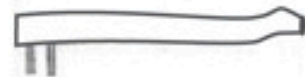
1 PC

(B2) SEAT



1 PC

(C) CHAIR LEG



2 PCS

(D) SHORT BOLT
1/4" X 50MM



3 PCS*

(E) FLAT WASHER
ø8 X17MM



11 PCS*

(F) LONG BOLT
1/4" X 90MM



4 PCS*

(G) WRENCH
13 X 90MM



1 PC

(H) NUT
1/4" X 13MM



4 PCS*

(I) SPRING WASHER
ø8 X12MM



11 PCS*

(J) ALLEN KEY
4 X 55MM



1 PC

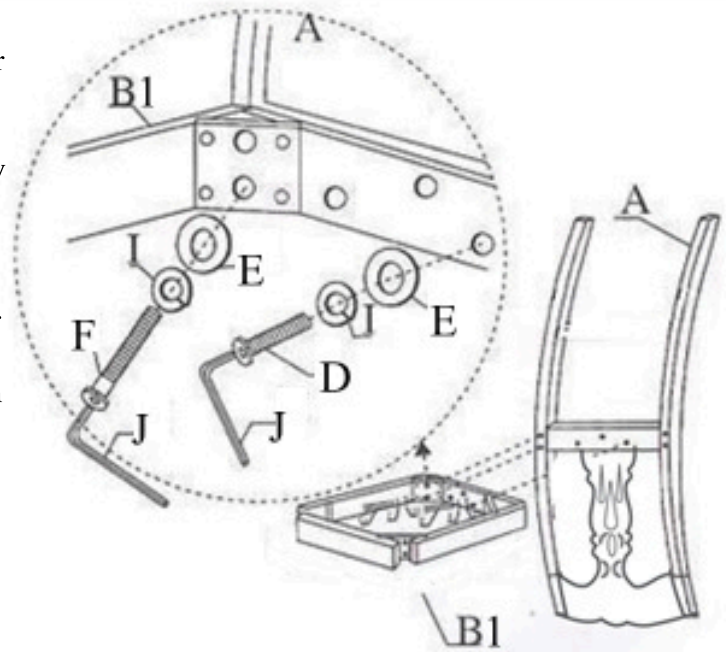
(K) SCREW



5PC

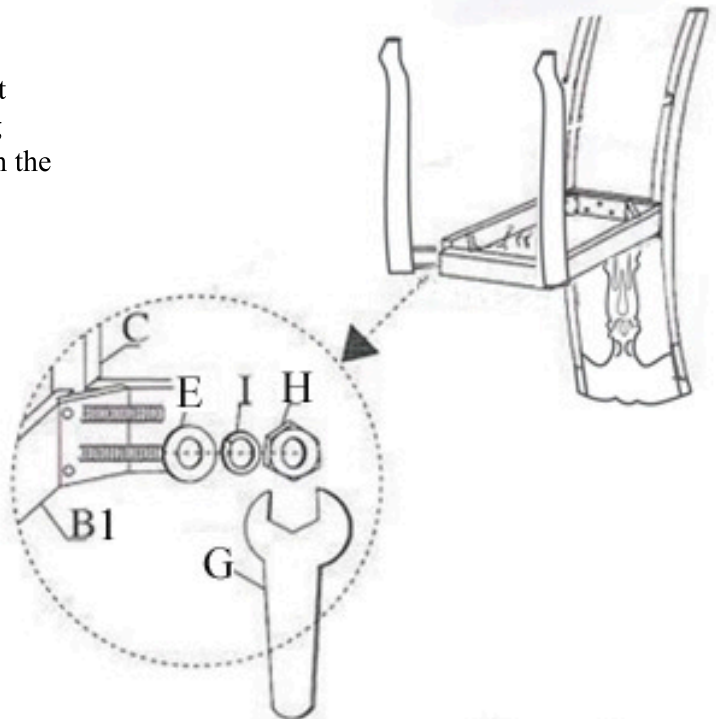
* 1PC EXTRA HARDWARE INCLUDED

STEP 1: Attach the seat frame (B1) and the chair back frame (A) in the middle using the washers (E), spring washers (I) and short bolts (D) as shown in the diagram. Tighten with the allen key (J) but do not fully tighten at this step.



STEP 2: Attach the seat frame (B1) and the chair back frame (A) at the side using the washers (E), spring washers (I) and long bolts (F) as shown in the diagram. At this time, fully tighten all bolts with the allen key (J).

STEP 3: Position both chair legs (C) to the seat frame (B1). Secure with the washers (E), spring washers (I) and nuts (H) as shown. Fully tighten the nuts with the wrench (G).



STEP 4: Attach the seat (B2) to the seat frame (B1) using the screw (K)

